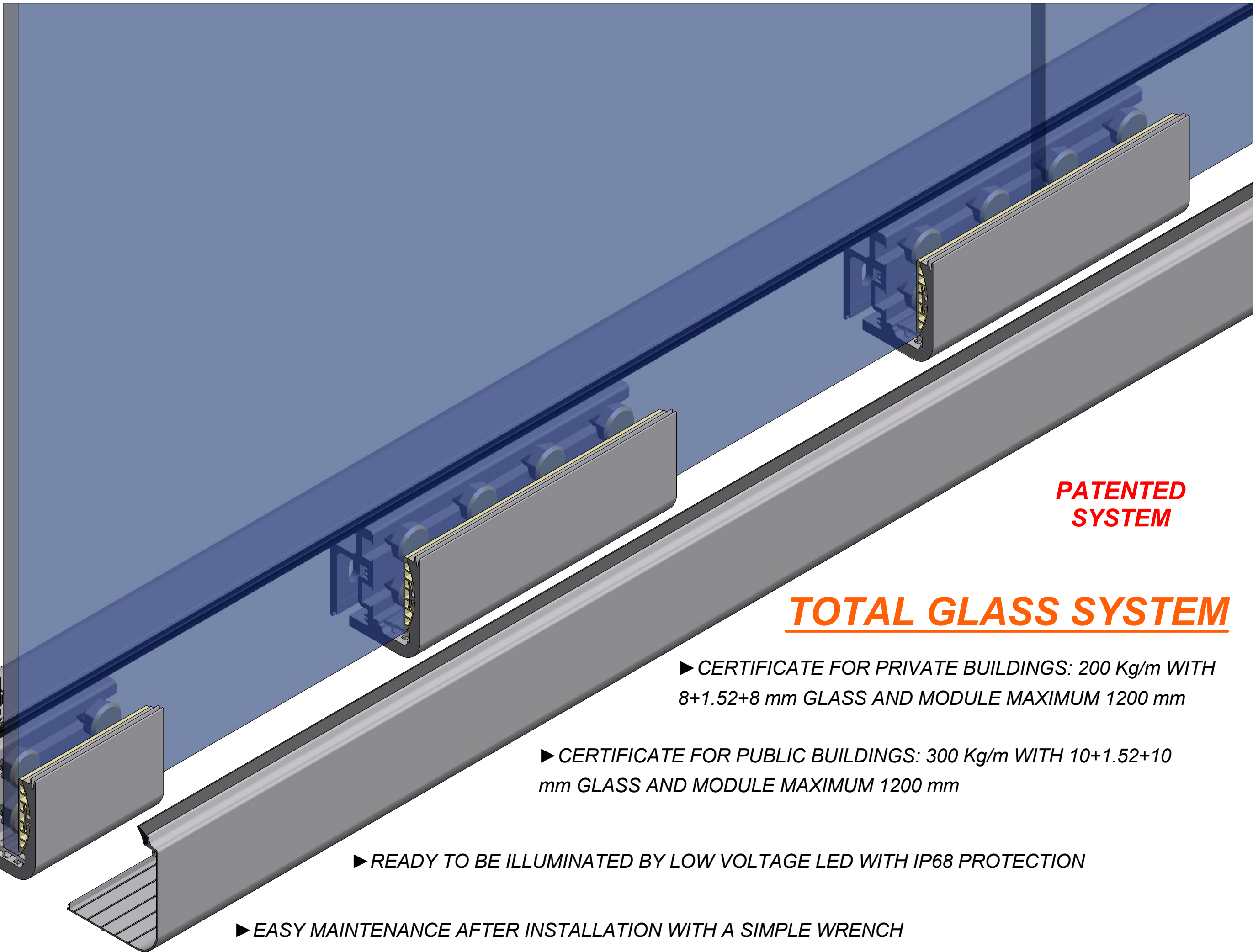
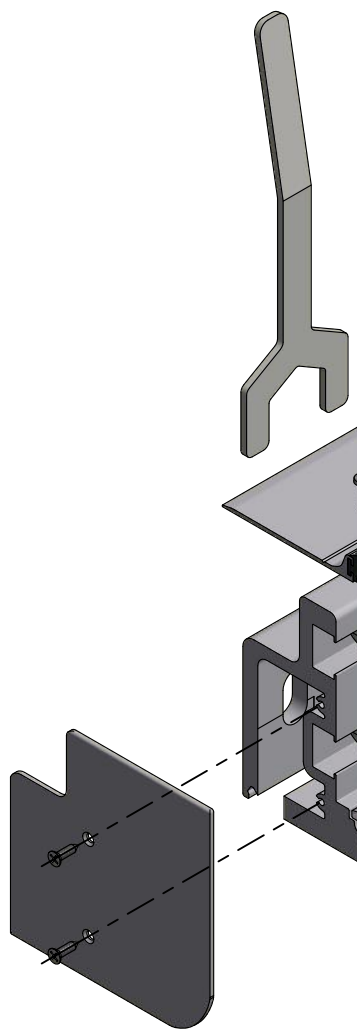


**TOTAL
GLASS**

FRONT
INSOLE
SYSTEM

PRODUCT SUITABLE
FOR:
-INDOOR
-OUTDOOR
-SWIMMING POOL



**PATENTED
SYSTEM**

TOTAL GLASS SYSTEM

▶ CERTIFICATE FOR PRIVATE BUILDINGS: 200 Kg/m WITH
8+1.52+8 mm GLASS AND MODULE MAXIMUM 1200 mm

▶ CERTIFICATE FOR PUBLIC BUILDINGS: 300 Kg/m WITH 10+1.52+10
mm GLASS AND MODULE MAXIMUM 1200 mm

▶ READY TO BE ILLUMINATED BY LOW VOLTAGE LED WITH IP68 PROTECTION

▶ EASY MAINTENANCE AFTER INSTALLATION WITH A SIMPLE WRENCH